



characteristics **Wattpic Centaurus Tracker**

Single or dual axis precision tracking



Solar module surface: Up to 162 square meters.

Potential capacity: Up to 22 kW peak*. Adaptable to all modules.

Maximum expected increase of production:** Up to 45% (Centaurus Dual), up to 36% (Centaurus Single).

Inverter and electrical components: depending on project.

Length: Up to 20 meter.

Height: Up to 6,5 meter.

Turning angle (azimuth): 360°.

Elevation: Double axis: 30° - 90° / Single axis: 50°.

Turning mechanism: Decentralised axis, without mechanical gear, hydraulic motor system (motor coupled to wheels).

Structure material: Galvanized steel.

Type of solar tracking mechanism: Astronomic open loop

Turning precision: 1°

Extreme wind protection: Automatic positioning of the module surface area in dominant wind direction through 'weather vane effect' (patented system).

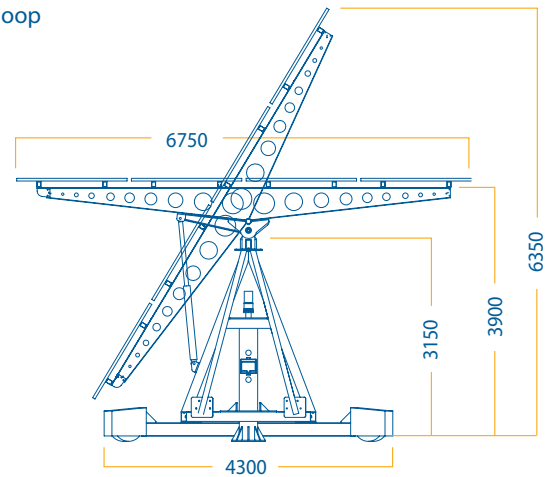
Foundations: Concrete central dice and rotation track.

Guarantee*:** Until 25 years for structure, Until 2 years for components.

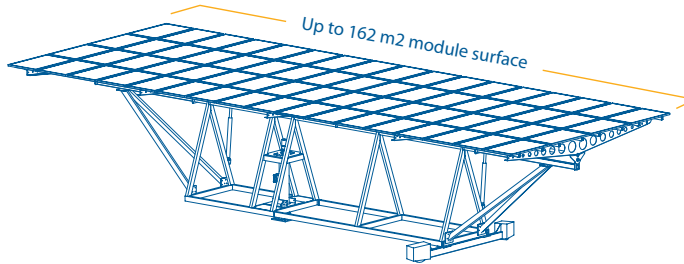
* Using a 14% efficiency module.

** Values based on PVGIS data. Increase on production depends on the installations location. We provide a individual estimate on customer request.

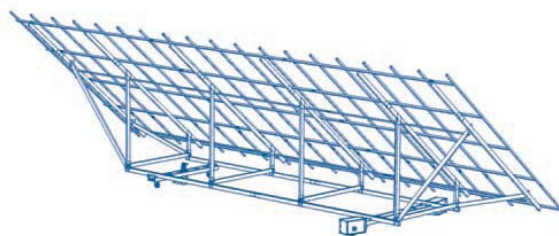
*** Adhering to the maintenance program.



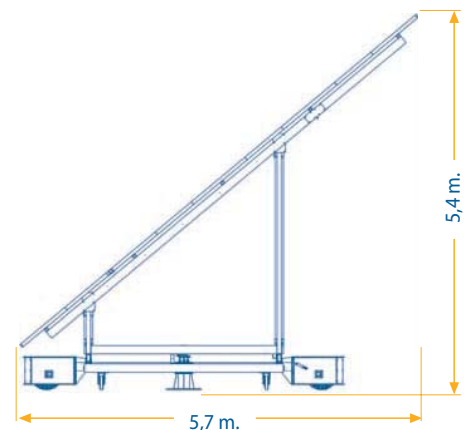
■ Cross section of the Wattpic Centaurus 2 axis ■



■ 3D Visualisation Wattpic Centaurus 2 axis ■



■ 3D Visualization Wattpic Centaurus 1 axis ■



■ Cross section of the Wattpic Centaurus 1 axis ■